

PAHSCO® FREE TRACHEA CLOSED SUCTION SYSTEM

72 Pack



72 Plus



Features

CAN BE USED FOR 72 HOURS

- Simplify procedures for each suctioning set up.
- Cost saving method for patients who require high frequency suctioning.

360° SWIVEL ADAPTOR

- Connect ET tube and breathing circuit to rotatable adaptor.
- Decrease cost and time for connecting other adaptor.

LENGTH MARKINGS ON TUBE

- Easy to control intubation length.

POSITION MARKING

An additional black marking on the catheter's distal end which eases the visibility while withdrawing the catheter to correct location.

CONTROL VALVE

- Light-weight suction control valve features unique locking mechanism for better recognition of use.
- Color coded button for ease of size selection.


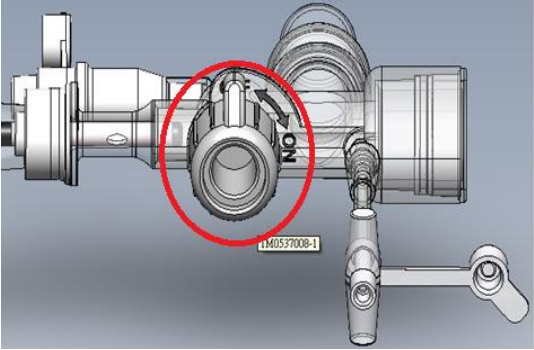

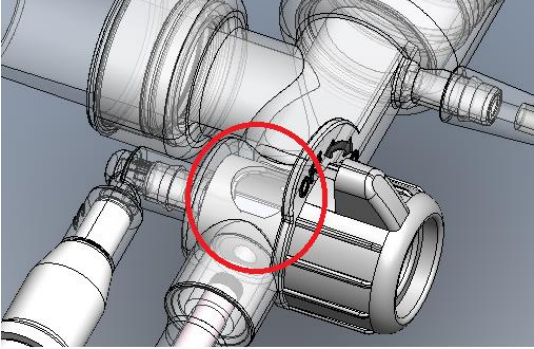

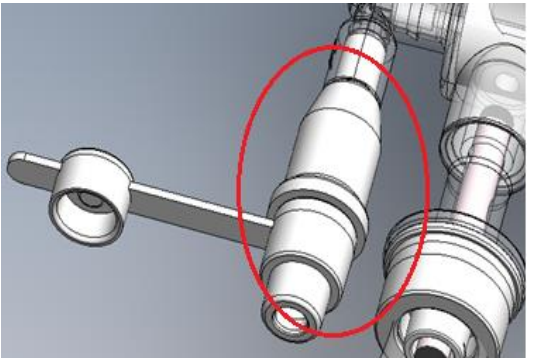
IRRIGATION PORT

- Non-return valve design prevents any back-flow during irrigation and keeps the system closed.

Size Available

Series	Category	Size	Tube Length
72 Pack	Pediatric	5/ 6/ 7/ 8FR	31cm
	Adult-Endotracheal	10 /12/ 14/ 16/18FR	54cm
	Adult-Tracheotomy	10 /12/ 14/ 16/18FR	34cm
72 Plus	Pediatric	Not available for 72 Plus series	-
	Adult-Endotracheal	10 /12/ 14/ 16/18FR	56cm
	Adult-Tracheotomy	10 /12/ 14/ 16/18FR	36cm

Differences between 72 Pack & 72 Plus (New Features for 72 Plus)

72 Pack	72 Plus	
		<p>PEEP VALVE</p> <ul style="list-style-type: none"> -Maintain the PEEP seal during irrigation. -Black ON/OFF marking for ease of use.
		<p>FLUSHING CHAMBER</p> <ul style="list-style-type: none"> -Minimize the PEEP loss during cleaning. -Prevent backflow to patient. -To create turbulence for better cleaning efficiency.
		<p>IRRIGATION PORT</p> <ul style="list-style-type: none"> -Vertical design for easy operation. -Irrigation will be activated automatically once applying vacuum. -Adapt various irrigation devices.